

Model WLFN2 Series

Specially designed for protecting cranes from overload and for measuring the tension of wireropes.(500kg ~ 10t/Rope)

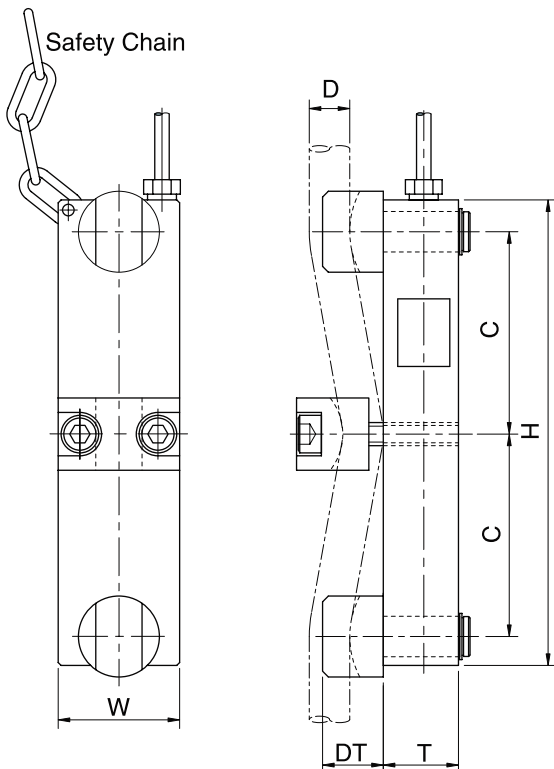


In many industrial applications the tension in wire rope needs to be carefully and continuously monitored.

usually all load cells placed in series with the rope, either at a point along its length or more commonly between the end of the rope and the fixture. the problem is that such a load cell is best suited to new application where it is designed in at an early stage

SPECIFICATIONS

MODEL	WLFN2
Rated capacity (R.C.)	500kg, 1, 1.5, 2.5, 4, 8, 10t/Rope
Rated output(R.O.)	Approx. 1.0mV/V
Non-linearity	≤ 1.0% R.O.
Hysteresis	≤ 1.0% R.O.
Non-repeatability	≤ 1.0% R.O.
Creep error	≤ 1.0% in 20min.
Zero balance	≤ 1% R.O.
Compensated temperature range	-10 ~ 70°C
Operating temperature range	-20 ~ 80°C
Temp. effect on rated output	≤ 0.05% LOAD/10°C
Temp. effect on zero balance	≤ 0.05% R.O./10°C
Terminal input resistance	400 Ohms ± 10 Ohms
output resistance	350 Ohms ± 5 Ohms
Insulation resistance (Min.)	2000 MOhms at 50V DC
Recommended excitation	10V(Recommended), 15V(Max.)
Electrical connection	∅7mmx6m(22AWG x 4Core Shielded)
Protection class	meets IP 64
Safe overload	200% R.C
Ultimate overload	400% R.C



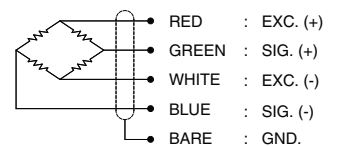
ORDERING INFORMATION

WLFN2 - 10T

MODEL
WLFN2

CAPACITY
500kg, 1, 1.5, 2.5,
4, 8, 10ton/Rope

WIRING INFORMATION



Dimension-mm

Rated Capacity	C	DT	H	T	W	∅D Wire rope	Weight (kg)
0.5t, 1t	60	15.5	145	20	34	∅ 6 ~ ∅ 8	1.6
1.5t	70	21	167	22	42	∅ 10 ~ ∅ 14	2.1
2.5t	75	27	180	22	48	∅ 14 ~ ∅ 20	2.6
4t	90	35	215	25	62	∅ 18 ~ ∅ 28	3.7
8t, 10t	100	45	250	35	80	∅ 25 ~ ∅ 35.5	7.0

Rated Capacity : Max. Load per wire rope

* Specifications are subject to change without notice

JAN, 2010