

Model OBUH(S) Series

Single Point
Bending Beam Load Cell
(5kg ~ 100kg)

The OBUH(S) series single point load cell is designed for low profile scales and automatic check weighing systems where great accuracy, reliability and fast measurement are required.

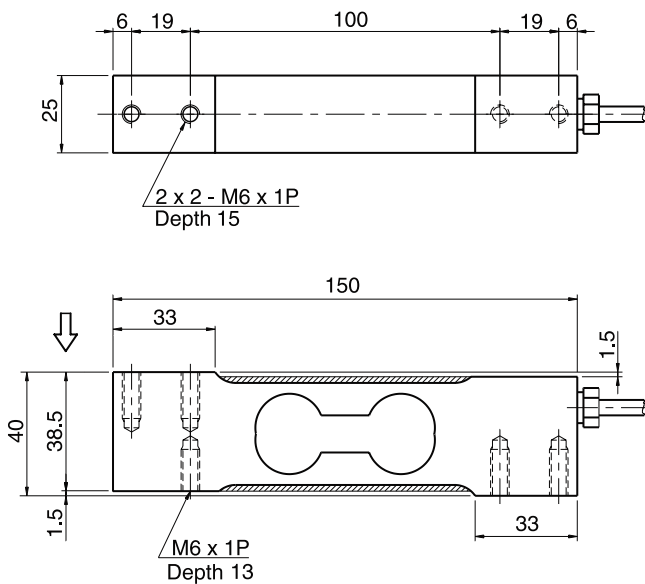


- OBUH : Aluminum alloy
- OBUHS : Stainless steel



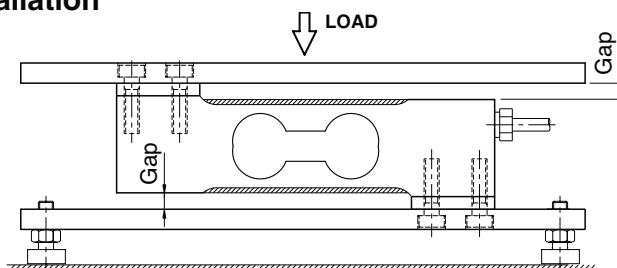
SPECIFICATIONS

MODEL	OBUH	OBUHS
Rated capacity (R.C.)	5, 7, 10, 15, 30, 50, 100kg	15, 30, 50, 100kg
Rated output(R.O.)	2mV/V ± 10%	
Non-linearity	≤0.02% R.O.	
Hysteresis	≤0.02% R.O.	
Non-repeatability	≤0.02% R.O.	
Creep error	≤0.03% in 20min.	
Zero balance	≤5% R.O.	
Compensated temperature range	-10 ~ 40°C	
Operating temperature range	-20 ~ 80°C	
Temp. effect on rated output	≤0.012% LOAD/10°C	
Temp. effect on zero balance	≤0.03% R.O./10°C	
Terminal input resistance	410 Ohms ± 25 Ohms	
Terminal output resistance	350 Ohms ± 5 Ohms	
Insulation resistance (Min.)	2000 MOhms at 50V DC	
Excitation voltage	10V(Recommended), 15V(Max.)	
Electrical connection	Ø5mmx1.5m(22AWG x 4Core Shielded)	
Protection class	meets IP 65	
Safe overload	150% R.C	
Ultimate overload	300% R.C	



Capacity(kg)	Allowable Platform Size
5~30kg (49.03~294.2N)	300 x 300 mm
50, 100kg (490.3, 980.7N)	400 x 400 mm

Installation



ORDERING INFORMATION

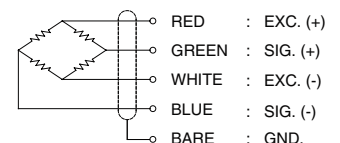
OBUH - 30

MODEL CAPACITY

OBUH : Aluminum alloy 5, 7, 10, 15, 30, 50, 100kg

OBUHS : Stainless steel 15, 30, 50, 100kg

WIRING INFORMATION



Weight

OBUH : 0.4kg

OBUHS : 1.1kg

* Specifications are subject to change without notice

JAN, 2010