

Model OBBS / OBBS2 Series

Bending Beam Load Cell (20kg ~ 500kg)

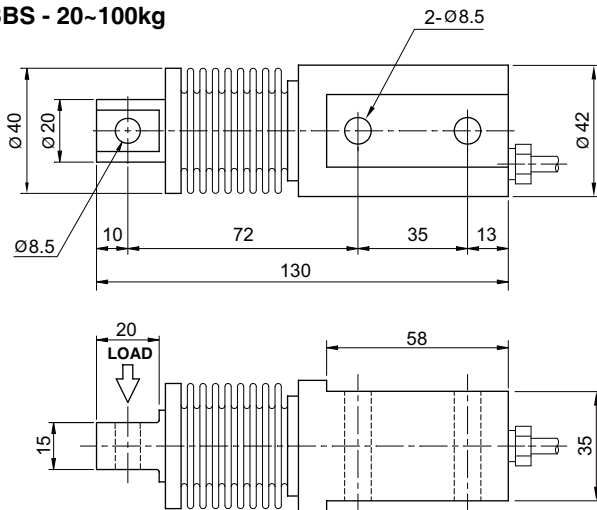
- Fully welded seal with stainless steel bellows for hostile environment applications.
- 17-4PH stainless steel construction.



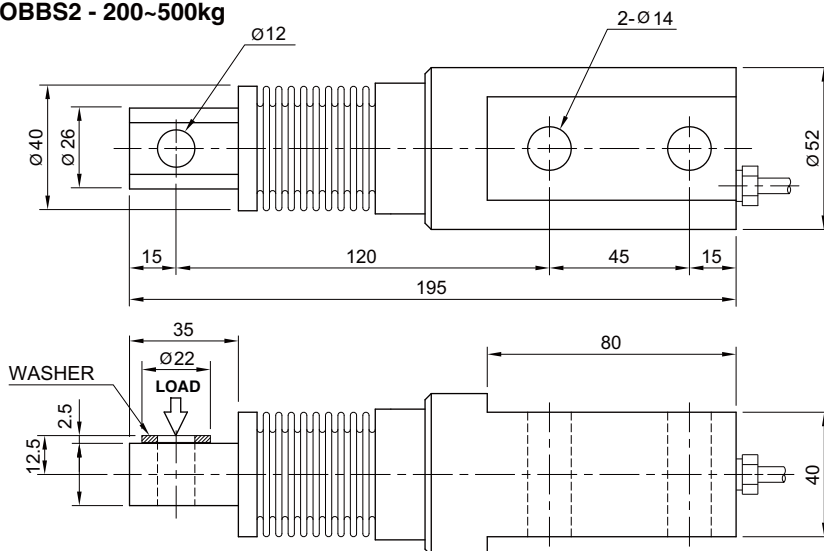
SPECIFICATIONS

MODEL	OBBS	OBBS2
Rated capacity (R.C.)	20, 50, 100 kg	200, 300, 500 kg
Rated output(R.O.)	2.0mV/V ± 0.2%	
Non-linearity	≤0.03% R.O.	
Hysteresis	≤0.02% R.O.	
Non-repeatability	≤0.02% R.O.	
Creep error	≤0.03% in 20min.	
Zero balance	≤1% R.O.	
Compensated temperature range	-10 ~ 70°C	
Operating temperature range	-20 ~ 80°C	
Temp. effect on rated output	≤0.02% LOAD/10°C	
Temp. effect on zero balance	≤0.02% R.O./10°C	
Terminal input resistance	400 Ohms ± 20 Ohms	
Terminal output resistance	350 Ohms ± 5 Ohms	
Insulation resistance (Min.)	2000 MOhms at 50V DC	
Excitation voltage	10V(Recommended), 15V(Max.)	
Electrical connection	Ø5mmx3m(22AWG x 4Core Shielded)	
Protection class	meets IP 68	
Safe overload	150% R.C	
Ultimate overload	300% R.C	

OBBS - 20~100kg



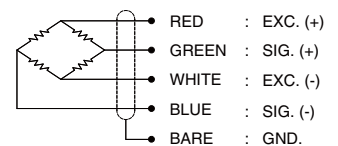
OBBS2 - 200~500kg



ORDERING INFORMATION

OBBS - 50	
MODEL	CAPACITY
OBBS	20, 50, 100kg
OBBS2	200, 300, 500kg

WIRING INFORMATION



* Specifications are subject to change without notice

APR, 2013