

## Model CBFS Series

Compression

Miniature Load Cell(3~100kg)

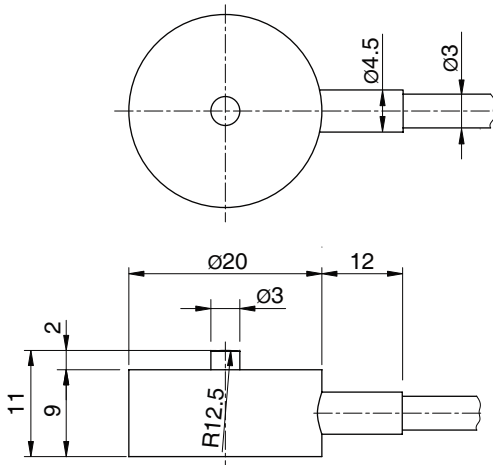
The model CBFS miniature type is designed for low profile compression service.

Its capacities range from 3kg to 100kg and it comes complete with 1.5m of load cell cable.

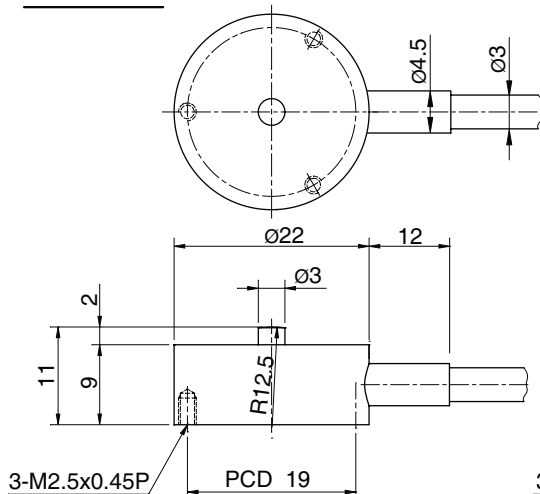
- low profile
- Rated output(1mV/V)
- Protection class IP65



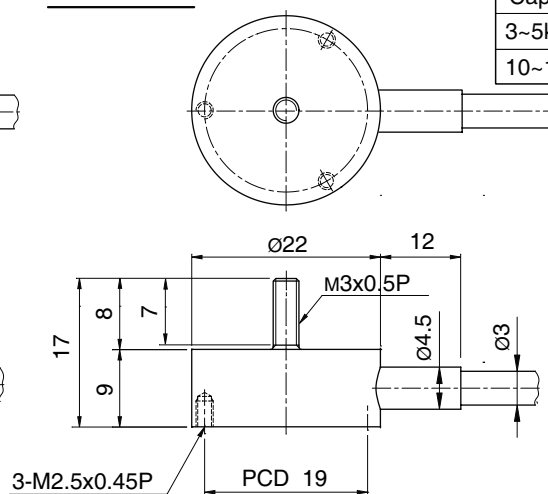
### TYPE - A



### TYPE - B



### TYPE - C



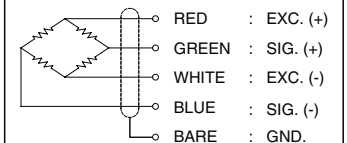
## SPECIFICATIONS

MODEL	CBFSA, CBFSA, CBFSC
Rated capacity (R.C.)	3, 5, 10, 30, 50, 100kg
Rated output(R.O.)	1.0mV/V ± 1% (3, 5kg Approx.)
Non-linearity	≤ 1% R.O.
Hysteresis	≤ 1% R.O.
Non-repeatability	≤ 1% R.O.
Creep error	≤ 0.5% in 20min.
Zero balance	≤ 1% R.O.
Compensated temperature range	-10 ~ 70°C
Operating temperature range	-20 ~ 80°C
Temp. effect on rated output	≤ 0.1% LOAD/10°C
Temp. effect on zero balance	≤ 0.1% R.O./10°C
Terminal input resistance	350 Ohms ± 3.5 Ohms
Terminal output resistance	350 Ohms ± 5 Ohms
Insulation resistance (Min.)	2000 MOhms at 50V DC
Excitation voltage	5V(Recommended), 10V(Max.)
Electrical connection	Ø3mmx1.5m(28AWG x 4Core Shielded)
Protection class	meets IP 65
Safe overload	150% R.C
Ultimate overload	300% R.C

### ORDERING INFORMATION

CBFS	-	10
MODEL		CAPACITY
CBFS A		3, 5, 10, 30, 50, 100kg
CBFS B		
CBFS C		

### WIRING INFORMATION



Capacity	Material
3~5kg	Aluminum Alloy
10~100kg	Stainless Steel (17-4PH)

\* Specifications are subject to change without notice

JAN, 2010