

Model BCCU Series Compression Load Cell (10t ~ 50t)



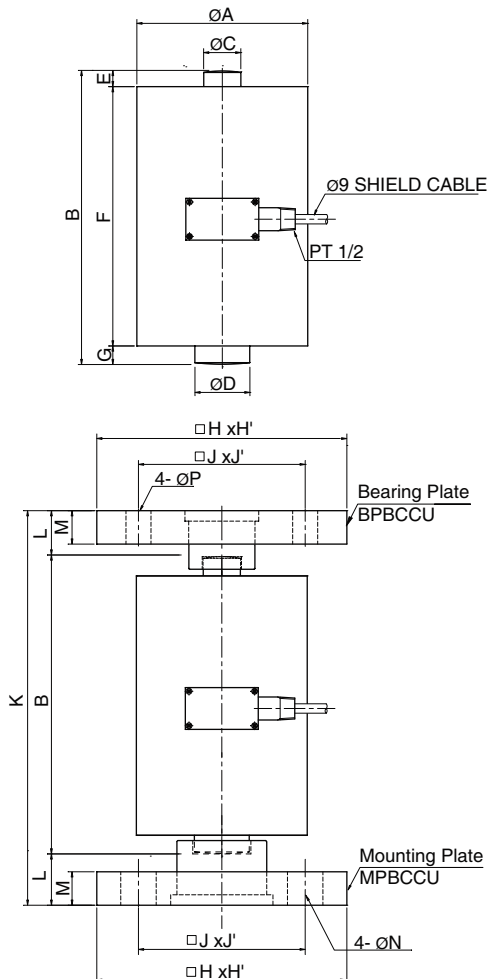
The BCCU series are hermetically sealed canister cells designed for compression service only. They are ideal for applications where optimum precision is needed.

The BCCU series maintain their accuracy over a large range of temperature and withstand severe conditions such as moisture, dust and vibration.

- Insensitive to side load
- Hermetically sealed
- High overload tolerance
- Robust high capacity design
- High alloy steel construction

SPECIFICATIONS

MODEL	BCCU
Rated capacity (R.C.)	10, 20, 30, 50t
Rated output(R.O.)	1.5mV/V ± 0.1%
Non-linearity	≤0.02% R.O.
Hysteresis	≤0.02% R.O.
Non-repeatability	≤0.02% R.O.
Creep error	≤0.02% in 20min.
Zero balance	≤1% R.O.
Compensated temperature range	-10 ~ 70°C
Operating temperature range	-20 ~ 80°C
Temp. effect on rated output	≤0.02% LOAD/10°C
Temp. effect on zero balance	≤0.02% R.O./10°C
Terminal input resistance	350 Ohms ± 3.5 Ohms
Terminal output resistance	350 Ohms ± 5 Ohms
Insulation resistance (Min.)	2000 MOhms at 50V DC
Excitation voltage	10V(Recommended), 15V(Max.)
Electrical connection	Ø9mmx5m(22AWG x 4Core Shielded)
Protection class	meets IP 67
Safe overload	150% R.C
Ultimate overload	300% R.C

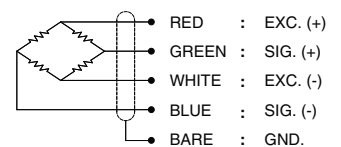


ORDERING INFORMATION

BCCU - 20T

MODEL BCCU	CAPACITY 10, 20, 30, 50 t
---------------	------------------------------

WIRING INFORMATION



Dimension-mm

Rated Capacity	A	B	C	D	E	F	G	H x H'	J x J'	K	L	M	N	P	Bearing Plate	Mounting Plate	Weight(kg)
10t (98.07kN)	125	215	28	40	11	190	14	200 x 170	140 x 110	274	29.5	19	30	24	BPBCCU1	MPBCCU1	11.0
20t (196.1kN)	135	247	33	47	12	215	20	200 x 170	140 x 110	330	41.5	22	30	24	BPBCCU2	MPBCCU2	13.7
30t (294.2kN)	160	293	40	55	12	261	20	240 x 200	180 x 140	400	53.5	25	34	28	BPBCCU3	MPBCCU3	22.8
50t (490.3kN)	175	321	55	66	17	284	20	255 x 215	195 x 155	445	62	25	34	28	BPBCCU4	MPBCCU4	30.1

* Specifications are subject to change without notice

JAN, 2010